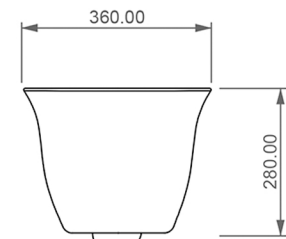
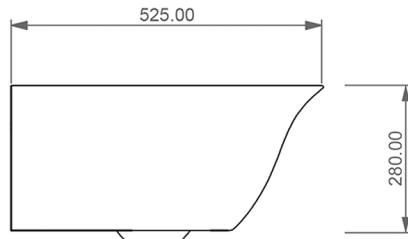


JOIN WALL HUNG TOILET (22C)

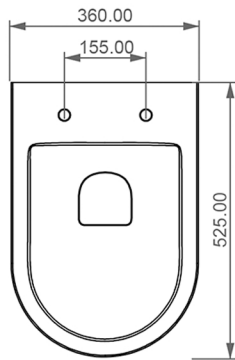
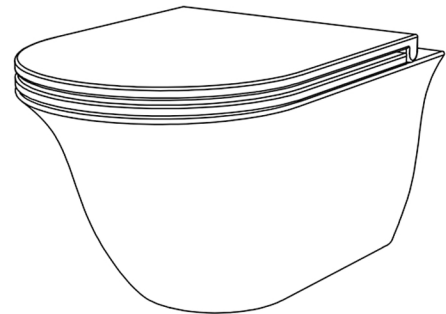
WEIGHT 20KG
DIMENSIONS IN MM



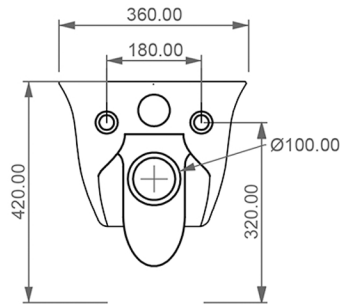
FRONT



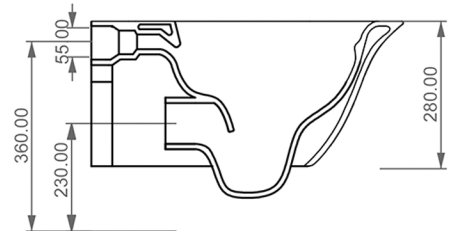
LEFT



TOP



REAR



SECTION

